



DES 
Fördertechnik

Matthias Manzeit
Mühlenstraße 26, 53347 Alfter
Tel. +49 (0) 228 243 666 88
info@des-foerdertechnik.de
www.des-foerdertechnik.de

ERSATZTEILE FÜR LPG-SYSTEME

INDEX Deutsch

• AISAN	
Typ S	11
Typ SS	12
Typ SC	13
Typ C	14
Vergaser	17
Ersatzteile	19
• ALGAS	21
• BEAM	22
• CENTURY	23
• E-CONTROLS	25
• IMPCO	
Sortiment von IMPCO	28
Verdampfer und Reparatursätze	33
Vergaser CA50 - CA55	36
Vergaser CA100	43
Vergaser CA125	47
• LPG-SATZ mit IMPCO Vergaser & Verdampfer	52
• UNIVERSALSÄTZE	65
• J & S	66
• LANDI HARTOG	68
• LANDI RENZO	69
• LOVATO	70
• NIKKI	71
• TELEFLEX-GFI	79
• WOODWARD	81
• ZENITH - BENDIX	82
• LPG ABSPERRVENTIL + FILTER	84
• LPG FILTER	86
• LPG ABSPERRVENTIL	89
• KRAFTSTOFF ABSPERRVENTIL	91
• REGLER	92
• LPG-BEDIENUNG	98
• ELEKTRISCHE MAGNETISCHE DROSSEL	101
• HALTER	102
• LPG-TANKS	106
• TANKZUBEHÖR	108
• SCHLÄUCHE UND KUPPLUNGEN	118
• SONSTIGES	124
• GEWINDEGRÖSSEN	132

AISAN - Model S



REF [107TA9081](#) Repair kit Model S



REF [136TA3042](#) Valve kit Model S



REF [105TA4826](#) Model S



REF [107TA9078](#) Model S

AISAN - Model SS



REF [107TA9083](#) Repair kit Model SS



REF [136TA3043](#) Valve kit Model SS



REF [136TA3044](#) Valve kit Model SS



REF [107TA9359](#) Solenoid Model SS



REF [136TA3045](#) Model SS



REF [107TA9084](#) Model SS

AISAN - Model SC



REF [136TA3046](#) Repair kit Model SC



REF [136TA3064](#) Valve kit Model SC



REF [107TA9359](#) Solenoid Model SC



REF [136TA3047](#) Vaporizer Model SC



REF [136TA3048](#) Vaporizer Model SC



REF [143TA7721](#) Complete repair kit Model SC



REF [143TA7722](#) Valve kit Model SC



REF [143TA7723](#) Diaphragm + O ring kit

AISAN - Model C



REF [107TA9361](#) Repair kit Model C



REF [141TA2245](#) Complete repair kit Model C



REF [136TA3049](#) Valve kit Model C



REF [136TA3050](#) Shut-off valve Model C



REF [107TA9359](#) Solenoid Model C



REF [107TA9362](#) Filter kit Model C



REF [136TA3051](#) Valve Model C

AISAN - Model C



REF [136TA3052](#) Vaporizer Model C - open loop



REF [136TA3053](#) Vaporizer Model C - open loop



REF [107TA9384](#) Vaporizer Model C - open loop



REF [136TA3054](#) Vaporizer Model C - open loop



REF [136TA3055](#) Vaporizer Model C - closed loop



REF [136TA3057](#) Vaporizer Model C - closed loop



REF [136TA3058](#) Vaporizer Model C - closed loop



REF [136TA3056](#) Vaporizer Model C - closed loop

AISAN



REF [106TA6815](#)

Vaporizer used for 4P, 5P, 5R TOYOTA engine



REF [106TA2930](#)

Repair kit for (REF [106TA6815](#))



REF [107TA9085](#)

Diaphragm for vaporizer (REF [106TA6815](#))



REF [107TA9086](#)

Diaphragm for vaporizer (REF [106TA6815](#))



REF [107TA9079](#)

Diaphragm 2ND from repair kit (REF [107TA9077](#))

AISAN LPG CARBS



Carburettor from 04/80
used for 5P TOYOTA engine
60-3FG20-23-25

REF [107TA9093](#)



Carburettor used for MITSUBISHI
with 4G33, 4G41,... engines

REF [107TA9092](#)



Carburettor used for 5R TOYOTA engine
from 04/80 4FG20-23-25

REF [107TA9091](#)



Carburettor from 78/04 - 80/04
used for 5R TOYOTA engine
40-3FG20-FG23-25

REF [107TA9090](#)



Carburettor from 78/04 - 80/04
used for 4P engine 3FG20-23-25

REF [107TA9089](#)



Adapter used for 5K and 4Y engine

REF [143TA7702](#)



Valve for (REF [143TA7702](#))

REF [143TA7703](#)



Carburettor LPG bore dia 40 mm
Used for HYSTER and YALE
with GM 3,0 L engine

REF [143TA7704](#)

AISAN LPG CARBS



Carburettor LPG bore dia 36 mm
Used for HYSTER and YALE
with Mazda FE engine

REF [143TA7705](#)

Picture not
yet available

Carburettor LPG used for HYSTER
and YALE with Mazda F2 engine

REF [143TA7706](#)

AISAN SPARE PARTS



REF [136TA3199](#) Carburettor used for MAZDA engines



REF [143TA7889](#) Diaphragm for (REF [136TA3199](#))



REF [136TA3201](#) Encoder used for MAZDA engines



REF [136TA3202](#) Sensor MAP used for MAZDA engines



REF [136TA3203](#) Governor used for MAZDA engines



Filter kit = REF [136TA3205](#)



REF [136TA3204](#) LPG filter used for MAZDA engines



REF [136TA3200](#) Injector LPG used for MAZDA engines



REF [143TA7708](#) Resonator used for MAZDA FE / F2 engines

AISAN SPARE PARTS



REF 143TA7710 Check Valve gray
(used for GM 3,0 L; MAZDA FE /F2)



REF 143TA7709 Check Valve brown
(used for TOYOTA / HYSTER)



REF 143TA7698 Adapter air intake
used for CESAB and TOYOTA 8 serie
with 4Y engine, throttle dia. 28 mm



REF 143TA7697 Used for CESAB
and TOYOTA 8 serie with 4Y engine



REF 143TA7699 Adapter air intake
used for TOYOTA 1FZ engine,
throttle dia, 30 mm



REF 143TA7700 Air / Fuel controller

ALGAS



REF [106TA6816](#) Vaporizer ALGAS type C250A



REF [106TA2929](#) Repair kit for C250A



REF [107TA9095](#) Vacuum kit for C250A



REF [107TA9098](#) Diaphragm model 60



REF [107TA9099](#) Diaphragm for mixer model 80

BEAM



REF [107TA9102](#) Vaporizer 120



REF [107TA9101](#) Repair kit for BEAM 120



REF [106TA6817](#) Vaporizer model 60



REF [116TA6998](#) Repair kit for BEAM 60



REF [107TA9104](#) Minor repair kit for (REF [107TA9102](#))



REF [107TA9103](#) Vacuum switch



REF [107TA9357](#) Vacuum switch

CENTURY



REF [107TA9115](#) Vaporizer 85 HP Model G



REF [107TA9116](#) Repair kit for Model G



REF [107TA9113](#) Vaporizer 135 HP Model H



REF [107TA9114](#) Repair kit for Model H



REF [107TA9111](#) Vaporizer 350 HP Model M



REF [107TA9112](#) Repair kit for Model M



REF [143TA7671](#) Repair kit

CENTURY

Element = REF [106TA2927](#)



REF [106TA2928](#) Filter



REF [106TA2927](#) Repair kit for (REF [106TA2928](#)) (REF [107TA9295](#))

Element = REF [106TA2927](#)



REF [107TA9295](#) Lock-off valve + filter 12 V



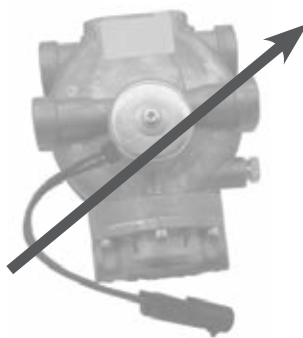
REF [107TA9125](#) Choke for all CENTURY vaporizers



REF [107TA9119](#) Draglink assy Barrel length 1" 1/4



REF [107TA9118](#) Draglink assy Barrel length 1" 7/8



Replaced by
REF [143TA7670](#)

REF [143TA7669](#) Vaporizer with filter used for HYSTER/YALE



REF [143TA7670](#) Cobra with lock-off valve

E-CONTROLS



REF [143TA7724](#)

Used in Closed loop system
(Repair kit is REF [143TA7726](#))



REF [143TA7726](#)

Repair kit of (REF [143TA7724](#))



REF [143TA7725](#)

Used in Open loop system
(Repair kit is REF [143TA7888](#))



REF [143TA7888](#)

Repair kit of (REF [143TA7725](#))



REF [144TA3727](#)

Mixer LPG E100M LP/ TIER-4,
used in HYUNDAI



REF [144TA3728](#)

Mixer LPG E100M LP/ Non Cert,
used in HYUNDAI



REF [144TA3729](#)

Mixer LPG E100M LP, used in CLARK



REF [144TA3730](#)

Diaphragm Models E 100M

E-CONTROLS



REF [144TA4187](#) E330 Mixer



REF [144TA4186](#) Repair kit for E330 mixer



REF [144TA4076](#) Vaporizer

IMPCO



®

Authorised Impco Distributor



SPECTRUM by IMPCO

SPECTRUM
by IMPCO

Valve = REF [136TA3187](#)



REF [136TA3186](#) Throttle body 3.0 L LPG DBC

SPECTRUM
by IMPCO

Valve = REF [136TA3187](#)



REF [136TA3188](#) Throttle body 4.3 L LPG DBC & BDW

SPECTRUM
by IMPCO



REF [136TA3189](#) Throttle body used for LINDE

SPECTRUM
by IMPCO



REF [136TA3190](#) Carburettor used for LINDE

SPECTRUM
by IMPCO



REF [136TA3191](#) Carburettor + throttle body used for LINDE until 2005

SPECTRUM
by IMPCO



REF [136TA3192](#) Carburettor + throttle body used for LINDE from 2006

SPECTRUM
by IMPCO



REF [125TA2803](#) Sensor throttle position

SPECTRUM
by IMPCO



REF [136TA3187](#) Fuel trim valve, FTV

SPECTRUM by IMPCO

SPECTRUM
by IMPCO



REF [143TA7553](#) Carburettor FT150

SPECTRUM
by IMPCO



REF [143TA7632](#) Major repair kit of EPR vaporizer

SPECTRUM
by IMPCO



REF [143TA7630](#) ERP vaporizer

SPECTRUM
by IMPCO



REF [143TA7631](#) Minor repair kit of EPR vaporizer

SPECTRUM
by IMPCO



REF [143TA7572](#) T-Fitting

SPECTRUM
by IMPCO



REF [143TA7574](#) Ventil with adapter 1/2" NPT

SPECTRUM
by IMPCO



REF [143TA7646](#) Ventil

SPECTRUM
by IMPCO



REF [143TA7647](#) Ventil

SPECTRUM by IMPCO

SPECTRUM
by IMPCO



REF [136TA3193](#) Lock-off 12 V

SPECTRUM
by IMPCO



REF [136TA3194](#) Coolant temperature sensor

SPECTRUM
by IMPCO



REF [136TA3195](#) Sensor, foot pedal position

SPECTRUM
by IMPCO



REF [136TA3196](#) Valve pressure trim

SPECTRUM
by IMPCO



REF [136TA3197](#) Pressure sensor

SPECTRUM
by IMPCO



REF [136TA3198](#) Carburettor

SPECTRUM
by IMPCO



REF [136TA3004](#) Vaporizer COBRA L4

SPECTRUM
by IMPCO



REF [143TA7882](#) Fitting kit COBRA L4

SPECTRUM by IMPCO

SPECTRUM
by IMPCO



REF [143TA7633](#)

SPECTRUM
by IMPCO



REF [143TA7634](#)

Carburettor Model FT60M
used for GM 3,0 L engines

SPECTRUM
by IMPCO



REF [143TA7635](#)

Carburettor Model FT60M
used for GM 1,6 L engines

SPECTRUM
by IMPCO



REF [143TA7636](#)

Carburettor Model FT60M
used for TENNANT

SPECTRUM
by IMPCO



REF [143TA7637](#)

Carburettor Model FT60M
used for MAZDA engines FE / F2

SPECTRUM
by IMPCO



REF [143TA7638](#)

90° 1/4" NPT X 3/8" flare

SPECTRUM
by IMPCO



REF [143TA7639](#)

Adapter 1/4" NPT

SPECTRUM
by IMPCO



REF [143TA7640](#)

70° Angle, hose 5/8"; with o-rings,
fits .78" port

SPECTRUM by IMPCO

SPECTRUM
by IMPCO



REF [143TA7641](#) Plug with o-rings

SPECTRUM
by IMPCO



REF [143TA7642](#) Retaining pin

SPECTRUM
by IMPCO



REF [143TA7643](#) Fitting assembly, Straight

SPECTRUM
by IMPCO



REF [143TA7644](#) Valve, solenoid vacuum lift

SPECTRUM
by IMPCO



Used for CLARK / DOOSAN
Diameter Throttle body 40 mm
used for GM 1,6 L

REF [143TA7629](#)

SPECTRUM
by IMPCO



Used for LINDE with VW engine

REF [143TA7645](#)

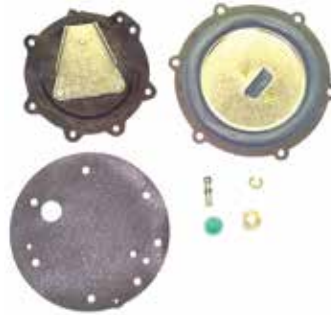
IMPCO



The new standard vaporizer

REF [107TA1732](#)

Vaporizer COBRA
Outlet pressure - 370 Pa



REF [107TA1730](#)

Repair kit for COBRA / COBRA - I



REF [126TA6141](#)

Vaporizer COBRA - I
Outlet pressure - 120 Pa
with orange spring



REF [107TA1729](#)

Repair kit for COBRA vaporizer
with CAP (Equiped for Germany)



REF [105TA4821](#)

Repair kit for Model J



REF [107TA9160](#)

Vaporizer Model E



REF [107TA9161](#)

Repair kit for Model E



REF [143TA7554](#)

Vaporizer COBRA
with extra connection hole

IMPCO



REF [107TA9162](#) Vaporizer Model LB



REF [107TA9163](#) Repair kit for Model LB



REF [105TA4822](#) Fuel lock-off vacuum Model VFF30



REF [105TA4823](#) For Model VFF30

REF [126TA6148](#) For Model VFF30 with silicon diaphragm
Repair kit



REF [107TA9165](#) Gasket for Model VFF30



REF [107TA9166](#) Filter + gasket for Model VFF30



REF [143TA7556](#) Fuel lock-off vacuum, Model VFF30-2, VMQ



REF [143TA7557](#) Repair kit VFF30-2, VMQ

IMPCO



REF [143TA7558](#)

Fuel lock-off vacuum,
Model VFF303-2, FVMQ



REF [143TA7559](#)

Repair kit VFF303, FVMQ



REF [143TA7560](#)

Switch

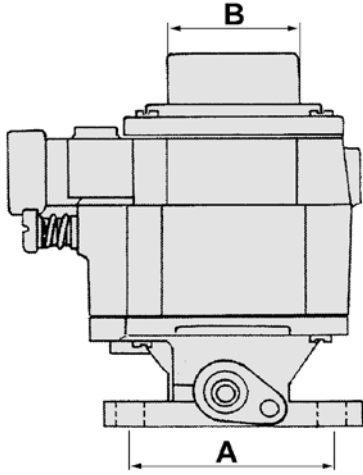


REF [143TA7561](#)

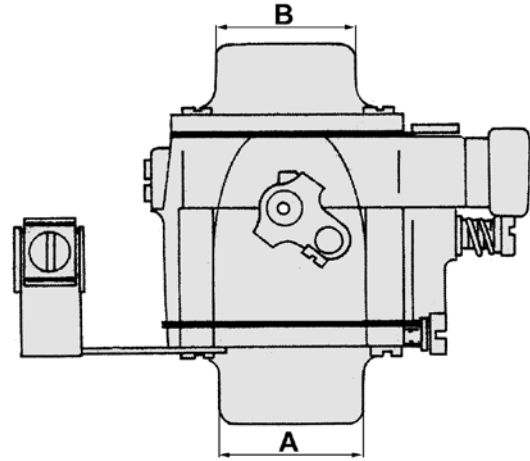
Switch

IMPCO CA50 - CA55

Type: 1



Type: 2



Company:

Customer code:

Name:

Fax number:

CA50-CA55

Type:.....

Engine:.....

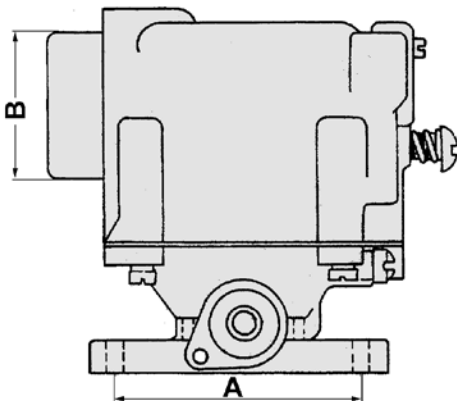
Model:.....

A:..... mm

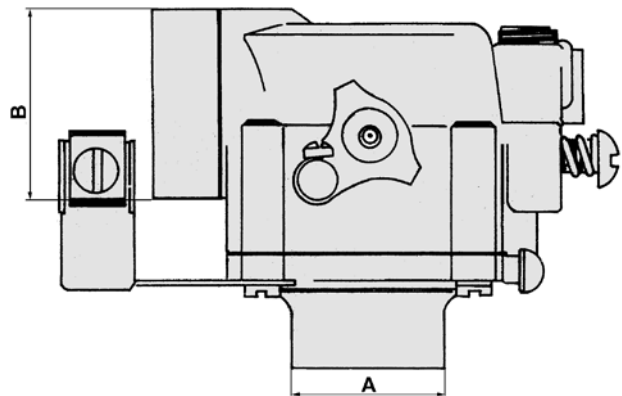
B:..... mm



Type: 3



Type: 4



IMPCO CA50 - CA55



- REF [112TA1145](#) 1"1/2 (38,1 mm)
- REF [112TA1146](#) 1"5/8 (41,3 mm)
- REF [112TA1147](#) 1"3/4 (44,4 mm)
- REF [107TA9385](#) 1"7/8 (47,7 mm)
- REF [107TA9170](#) 2" 1/16 (52,4 mm)



REF [107TA9173](#) Model CA50 - CA55
IMPCO Carburettor Series 500

Type 1
A= 53 mm
B= 43 mm



Model CA50 - CA55 IMPCO Carburettor
Dia. air horn 43 mm
used for HYSTER forklift

REF [107TA9169](#)

Type 1



Model CA50 - CA55 IMPCO
used for 4Y-5K TOYOTA

REF [105TA4827](#)

Type 1
A= 2" 3/8 (60,3 mm)
B= special for 4P



Model CA50 - CA55 IMPCO
1" SAE flange used for 4P TOYOTA engine

REF [107TA9172](#)

Type 1
A= 2" 11/16 (68,3 mm)
B= 2" 1/16 (52,4 mm)



Model CA50 - CA55 IMPCO
1" 1/4 SAE flange

REF [107TA9171](#)

Type 1



Model CA50 - CA55 IMPCO
Carburettor used for CLARK

REF [107TA9168](#)

Type 1
A= 79 mm
B= 63 mm



Model CA50 - CA55 IMPCO
used for engine H20-II / H25

REF [107TA1734](#)

IMPCO CA50 - CA55

Type 2

A = 1" 5/8 (41,3 mm)
B = 1" 5/8 (41,3 mm)



Model CA50 - CA55 IMPCO
for dual fuel

REF [107TA9178](#)

Type 2

A = 2" 1/16 (52,4 mm)
B = 2" 1/16 (52,4 mm)



Model CA50 - CA55 IMPCO
Carburettor for dual fuel air horn
dia. 2" 1/16

REF [107TA9181](#)

Type 2



Model CA50 - CA55 M 750 L
IMPCO mixer assy

REF [107TA9179](#)

Type 2

A = 1" 7/8 (47,6 mm)
B = 1" 7/8 (47,6 mm)



Model CA50 - CA55 IMPCO
dual fuel carburettor 1" 7/8 air horn 1" 7/8
HOSE dual fuel w/lifter

REF [107TA9174](#)

Type 3

A = 2" 3/8 (60,3 mm)
B = 1" 5/8 (41,3 mm)

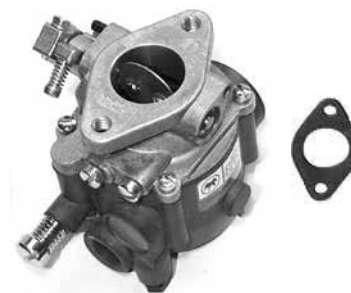


Model CA50 - CA55 IMPCO carburettor
1" SAE flange 1" 5/8 air horn

REF [107TA9177](#)

Type 3

A = 2" 3/8 (60,3 mm)
B = 1" 5/8 (41,3 mm)



CA50 - CA55 model 500 IMPCO
1" SAE flange x 1" 5/8 air horn

REF [107TA9176](#)

Type 3

A = 2" 1/16 (52,4 mm)
B = 2" 1/16 (52,4 mm)



Model CA50 - CA55 IMPCO carburettor
used for DEUTZ GF3L913

REF [107TA9182](#)

Type 3

A = 2" 3/8 (60,3 mm)
B = 2" 1/16 (52,4 mm)



Model CA50 - CA55 IMPCO carburettor
used for LINDE H15T with VW engine 1,6

REF [107TA9175](#)

IMPCO CA50 - CA55

Type 4

A = 2" 1/16 (52,4 mm)
B = 2" 1/16 (52,4 mm)



REF [107TA9180](#)

Model CA50 - CA55 IMPCO carburettor dual fuel dia. 2" 1/16

A = 2" 11/16 (68,3 mm)



REF [107TA9230](#)

IMPCO assy throat 1" 1/4 SAE flange



REF [107TA9228](#)

IMPCO assy throat used for 4Y & 5K engine

A = 2"1/16 (52,4 mm)



REF [107TA9246](#)

IMPCO assy throat for CA50 - CA55 serie 500

A = 2" 3/8 (60,3 mm)



REF [107TA9226](#)

IMPCO assy throat SAE flange 1"

REF [107TA9233](#)

1"1/2 (38,1mm)

REF [107TA9234](#)

1"5/8 (41,3 mm)

REF [107TA9235](#)

1" 7/8 (47,7 mm)

REF [107TA9236](#)

2" 1/16 (52,4 mm)

REF [107TA9237](#)

2" 5/16 (58,8 mm)

REF [107TA9238](#)

2"1/2 (63,5 mm)

IMPCO for CA50 - CA55



REF [107TA9239](#)

1"1/2 (38,1mm)

REF [107TA9240](#)

1"5/8 (41,3 mm)

REF [107TA9241](#)

1" 7/8 (47,7 mm)

REF [107TA9191](#)

2" 1/16 (52,4 mm)

REF [107TA9242](#)

2" 5/16 (58,8 mm)

IMPCO adapter for CA50 - CA55



REF [107TA9192](#)

IMPCO gasket for CA50 - CA55

IMPCO CA50 - CA55



REF [143TA7562](#)

1" 7/8 air horn, 1" 7/8
hose dual fuel with lifter



REF [143TA7563](#)

Used for 4Y engine in 6 and 7 series
1" 1/2 SAE flange: 50 mm



REF [143TA7564](#)

Used for Z24 and H20 new style engines
3/4" SAE flange: 43 mm

IMPCO SPARE PARTS



REF [107TA9187](#) IMPCO gasket for CA50 - CA55



REF [107TA1735](#) Repair kit CA55



REF [107TA9184](#) IMPCO plate carburettor



REF [107TA9243](#) IMPCO air valve assy



REF [107TA9185](#) IMPCO spring air valve CA50 - CA55



REF [136TA3170](#) Throttle body



REF [107TA9186](#) IMPCO spring idle cut off CA50



REF [107TA9190](#) IMPCO plug



IMPCO

IMPCO SPARE PARTS

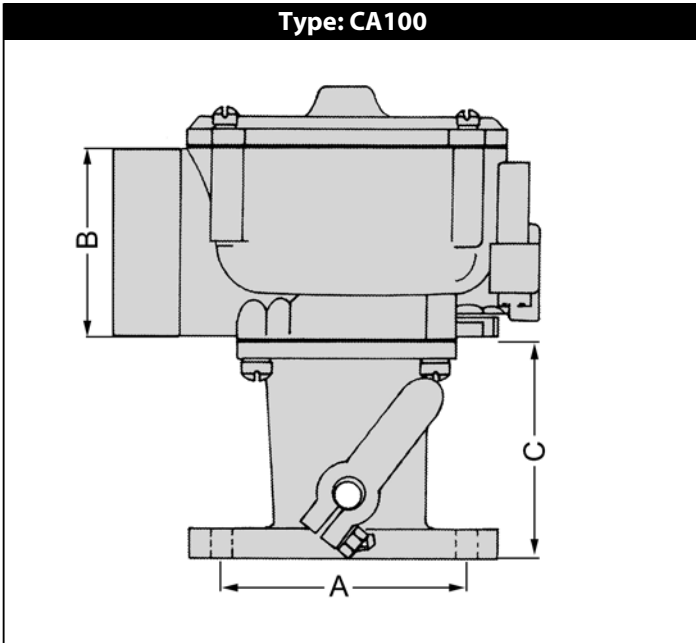


REF [107TA9189](#)

IMPCO adapter air horn
used for 4P-5R TOYOTA engine

IMPCO CA100

Type: CA100



Company:
Customer code:
Name:
Fax number:

CA100

Engine:.....

Model:.....

A:..... mm

B:..... mm

C:..... mm

IMPCO CA100



- REF [107TA9194](#) 1" 1/2 (38,1mm)
- REF [107TA9200](#) 1" 5/8 (41,3 mm)
- REF [107TA9195](#) 1" 7/8 (47,7 mm)
- REF [107TA9196](#) 2" 1/16 (52,4 mm)
- REF [107TA9197](#) 2" 5/16 (53,8 mm)

Carburettor Model CA100 IMPCO

A = 2" 11/16 (68,3 mm)
B = 2" 5/16 (58,8 mm)



REF [107TA9213](#) Model CA100 IMPCO

A = 2" 11/16 (68,3 mm)
B = 2" 1/16 (52,4 mm)



REF [107TA9214](#) Carburettor Model CA100 IMPCO

A = 2" 11/16 (68,3 mm)
B = 2" 1/16 (52,4 mm)



REF [107TA9211](#) IMPCO carburettor used for HYSTER S125-S150A with 4.236 perkins engine

A = 2" 11/16 (68,3 mm)
B = 2" 1/16 (52,4 mm)



REF [107TA9210](#) IMPCO carburettor CA100

A = 2" 11/16 (68,3 mm)
B = 2" 1/16 (52,4 mm)



REF [107TA9209](#) Model CA100 IMPCO carburettor

A = 2" 15/16 (74,6 mm)
B = 2" 5/16 (58,8 mm)



REF [107TA9208](#) Model CA100 IMPCO carburettor

A = 2" 1/4 (57,2 mm)
B = 1" 1/2 (38,1 mm)



REF [107TA9207](#) Model CA100 IMPCO carburettor

IMPCO CA100

A = 2" 11/16 (68,3 mm)
B = 2" 5/16 (58,8 mm)



REF [107TA9203](#) Model CA100 IMPCO

A = 2" 3/8 (60,3 mm)
B = 2" 1/16 (52,4 mm)



REF [107TA9202](#) Model CA100 IMPCO carburettor used for 4Y TOYOTA engine

B = 2" 1/16 (52,4 mm)



Model CA100 IMPCO mixer used for 4G33, 4G41, ... MITSUBISHI engines

REF [107TA9199](#)

A = 2" 3/8
B = 2" 1/16 (52,4 mm)



REF [107TA9198](#) Model CA100 IMPCO carburettor

B = 2" 1/16 (52,4 mm)



REF [136TA3211](#) Carburettor Model CA100

IMPCO SPARE PARTS

- REF 107TA9205** Cone 7 - silicon
- REF 106TA2922** Cone 7 - rubber
- REF 111TA3749** Cone 32 - silicon
- REF 111TA3750** Cone 47 - silicon
- REF 111TA3751** Cone 42 - rubber

IMPCO repair kit for CA100 - CA125



REF 143TA7565 Carb + governor used for YALE / HYSTER



REF 143TA7566 Governor used for YALE / HYSTER



REF 107TA9386 Connector



REF 143TA7567 Gasket CA100/125 air intake



REF 143TA7568 Gasket



REF 143TA7569 Gasket throttle body

IMPCO CA125



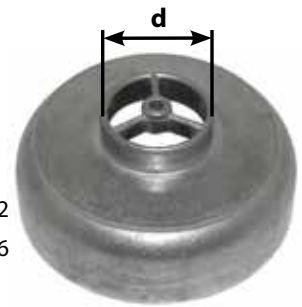
- REF 143TA7575** Cone 32
- REF 143TA7576** Cone 47
- REF 143TA7577** Cone B
- REF 143TA7578** Cone A

Repair kits CA125 used for LINDE



REF 107TA9216

Model CA125 IMPCO carburettor
air horn dia. 2" 5/16



- REF 106TA2916** d = 2" 1/8
- REF 107TA9364** d = 2" 7/32
- REF 106TA2917** d = 2" 5/16
- REF 106TA2918** d = 2" 5/8
- REF 106TA2919** d = 2" 3/4
- REF 106TA2920** d = 3" 1/8

IMPCO adapter air horn CA125



REF 107TA9215

Model CA125 IMPCO mixer

IMPCO SPARE PARTS



REF [107TA9232](#)

Adapter used for carburettor LINDE 352 (PERKINS)



REF [107TA9231](#)

Adapter CA100 - CA125

A = 2" 11/16 (68,3 mm)



REF [107TA9225](#)

IMPCO assy throat for CA100 - CA125

A = 2" 13/16 (71,4 mm)



REF [107TA9229](#)

IMPCO assy throat for CA100 - CA125

A = 2" 3/8 (60,3 mm)



REF [107TA9245](#)

IMPCO assy throat for CA100 - CA125

A = 2" 15/16 (74,6 mm)



REF [107TA9227](#)

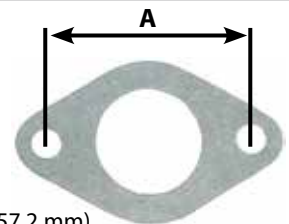
IMPCO assy throttle CA100

A = 2" 11/16 (68,3 mm)



REF [107TA9244](#)

IMPCO assy throttle for CA100 - CA125



REF [107TA9365](#)

A = 2" 1/4 (57,2 mm)

REF [107TA9218](#)

A = 2" 3/8 (60,3 mm)

REF [107TA9366](#)

A = 2" 11/16 (68,3 mm)

REF [107TA9368](#)

A = 2" 13/16 (71,5 mm)

REF [107TA9367](#)

A = 2" 15/16 (74,6 mm)

IMPCO gasket

IMPCO SPARE PARTS



REF [107TA9250](#)

IMPCO adapter used for 3P TOYOTA engine



REF [107TA9249](#)

IMPCO adapter used for 4G33, 4G41, ... MITSUBISHI engine



REF [107TA9248](#)

IMPCO adapter used for J15 NISSAN engine



REF [107TA9247](#)

IMPCO adapter used for H20 NISSAN engine



REF [107TA9363](#)

Used for 4Y-5K engine



REF [143TA7570](#)

Gasket adapter 4Y-5K engines



REF [143TA7571](#)

Adapter for CA100 on 1FZ engine

IMPCO SPARE PARTS



REF [107TA9223](#) IMPCO screw 1/4"



REF [107TA9219](#) IMPCO screw 5/16"



REF [107TA9220](#) IMPCO ring 2" 5/8



REF [107TA9221](#) IMPCO lever: dia. 11 mm



REF [107TA9222](#) IMPCO assy stud 1/4" x 5" 1/2



REF [143TA7555](#) IMPCO lever: dia. 9,5 mm



REF [143TA7572](#) Valve kit



REF [143TA7573](#) Coupler

IMPCO SPARE PARTS



REF [143TA7574](#) Valve kit



REF [107TA9259](#) Assy spring 5/16" shaft



REF [107TA9258](#) Assy spring 1/4" shaft



REF [107TA9257](#) IMPCO assy throttle stop dia. 5/16"



REF [107TA9255](#) IMPCO assy throttle stop dia. 1/4"



REF [107TA9315](#) Choke IMPCO

LPG-KIT with IMPCO carburettor & vaporizer



REF 107TA9146

Used for KOMATSU Z11 serie with 4P - 5K TOYOTA engine



REF 107TA9145

Used for KOMATSU PETROL + LPG with A15 + H20 NISSAN engine or 4P + 5K TOYOTA engine



REF 107TA9142

Used for KOMATSU Z11 serie with H20 engine

LPG-KIT with IMPCO carburettor & vaporizer



REF 107TA9141 Used for KOMATSU with 4P TOYOTA engine



REF 143TA7624 Upgrade kit TOYOTA 4Y and 4P engine (AISAN to IMPCO)



REF 143TA7625 Upgrade kit MAZDA FE and F2 engine on HYSTER/YALE (AISAN to IMPCO)

LPG-KIT with IMPCO carburettor & vaporizer



REF [143TA7626](#) IMPCO kit used for GM 4,3 L on CLARK

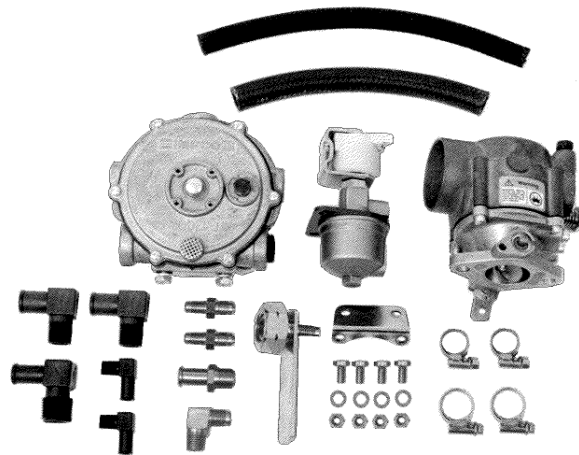


REF [143TA7627](#) IMPCO conversion kit used for NISSAN K21/K25 open loop, only LPG



REF [143TA7628](#) LPG kit used for NISSAN K15-K21-K25-TB45 engines

LPG-KIT with IMPCO carburettor & vaporizer



REF 107TA9149 Used for LINDE H15T model 350 with VW 1,8 L engine



REF 107TA9148 Used for LINDE H40-45 model 352 with G4.236 PERKINS engine



REF 107TA9144 Used for LINDE H15T model 330 with VW 1,6 L engine

LPG-KIT with IMPCO carburettor & vaporizer



REF 107TA9147

Used for MITSUBISHI with 4G15 - 4G33 - 4G41 - 4G54 - 4G64 engine



REF 112TA1162

Used for MITSUBISHI with 4G15 - 4G33 - 4G41 - 4G54 - 4G64 engine kit with electric lock-off valve

LPG-KIT with IMPCO carburettor & vaporizer



REF 107TA9137 Used for NISSAN with J15 engine



REF 107TA9136 Used for NISSAN petrol + LPG FX serie, with A15 + H20 engine



REF 107TA9135 Used for NISSAN with D11 engine

LPG-KIT with IMPCO carburettor & vaporizer



REF 107TA9140 Used for NISSAN with J15 engine



REF 107TA9139 Used for NISSAN FX series with A15 - H20 engine Z24 engine



REF 107TA9138 Used for NISSAN with H20 engine

LPG-KIT with IMPCO carburettor & vaporizer



REF 107TA9143

Used for NISSAN FX serie with Z24 engine



REF 106TA2857

Used for NISSAN with H20-II / H25 engine H15 / K21 engine

LPG-KIT WITH IMPCO CARBURETTOR & VAPORIZER

LPG-KIT with IMPCO carburettor & vaporizer



REF 107TA9151 Used for TCM ALFA-serie with Z24 NISSAN engine



REF 107TA9152 Used for TCM with A15 + H20 NISSAN engine

LPG-KIT with IMPCO carburettor & vaporizer



REF [106TA2856](#) Used for 4Y TOYOTA engine



REF [107TA9154](#) Used for TOYOTA with 4P and 5R engines



REF [107TA9153](#) Used for TOYOTA dual fuel LPG-kit with 4Y engine

LPG-KIT with IMPCO carburettor & vaporizer



REF 107TA9157 Used for TOYOTA PETROL + LPG with 4P + 5R engine



REF 107TA9156 Used for TOYOTA 4Y engine special



REF 107TA9155 Used for TOYOTA PETROL + LPG 4Y engine

LPG-KIT with IMPCO carburettor & vaporizer



REF [107TA9159](#) Used for 5P TOYOTA engine



REF [107TA9150](#) Used for TOYOTA with 3P engine



REF [107TA9158](#) Used for TOYOTA with 5K engine

LPG-KIT with IMPCO carburettor & vaporizer



REF 111TA6583

Used for TOYOTA 3FG60 with 2F engine

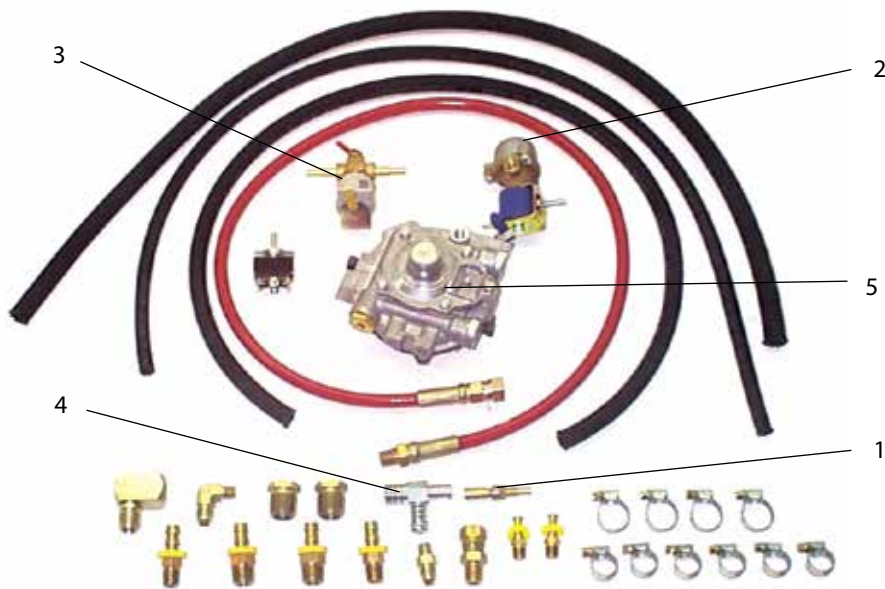
Universal kits

This is a conversion kit petrol/lpg.

The kit can be fitted on all makes of forklifts (A) = up to 60 HP and (B) = up to 120 HP.

Includes an injector (1) that must be mounted in the middle of the venturi in the Carburettor.

The injector has a thread size of M8x1,5. This kit also includes: LPG lock-off (2), petrol lock-off (3), flow vaporizer (4), vaporizer (5), all the hoses and all the fittings to mount the kit easily.



(A) = Conversion kit :
LPG and Petrol
<60 HP.

REF 106TA2858



(B) = Conversion kit:
LPG and petrol
<120 HP.

REF 106TA2859

J & S



REF [107TA9262](#) Vaporizer type 11A28



REF [107TA9261](#) Repair kit for (REF [107TA9262](#))



REF [107TA9260](#) Vaporizer type 600



REF [107TA9266](#) J & S carburettor



REF [107TA9263](#) Serpentin



REF [107TA9270](#) J & S kit



REF [107TA9272](#) J & S diaphragm



REF [107TA9271](#) J & S kit

J & S



REF [107TA9268](#) J & S repair kit



REF [107TA9269](#) J & S primer kit

LANDI HARTOG



REF [106TA2934](#) Vaporizer type JH



REF [107TA7694](#) Repair kit for type JH



REF [107TA9273](#) Choke



REF [107TA9397](#) Repair kit with mix corrector for type JH

LANDI RENZO



REF [126TA6039](#) Vaporizer LSE98



REF [111TA6204](#) Repair kit



REF [136TA3006](#) Vaporizer SE 81 SIC



REF [107TA7696](#) Repair kit for SE 81 SIC



REF [107TA9310](#) Fuel lock-off 12 V



REF [143TA7623](#) Fuel lock-off valve

LOVATO



REF [107TA7695](#) LOVATO repair kit for (REF 107TA1736 & REF [136TA3005](#))



Replaced by
REF [136TA3011](#)

REF [107TA9278](#) Choke



REF [136TA3005](#) LOVATO RGV090



REF [136TA3011](#) Choke RGV090



REF [143TA7622](#) Minikit carburettor GV090 with CL1 fuel switch



REF [143TA7618](#) LPG shut-off valve M10 x 1 Repair kit (REF [143TA7619](#))



REF [143TA7619](#) Repair kit for (REF [143TA7618](#))



Water connection dia. 15,5

REF [144TA3698](#)



Gas connection dia. 20,5

REF [144TA3699](#)

NIKKI for K15 / K21 / K25



Vaporizer dual fuel
used for NISSAN, CATERPILLAR,
MITSUBISHI, JUNGHEINRICH

REF [136TA3065](#)



REF [136TA3066](#) Repair kit for (REF [136TA3065](#))



Vaporizer dual fuel
used for KOMATSU

REF [136TA3067](#)



REF [107TA1733](#) Repair kit for (REF [136TA3067](#))



REF [136TA3068](#) Valve solenoid for (REF [136TA3067](#))



Vaporizer - EFI (2003/07-2007/08)
without electric heater

REF [136TA3069](#)



REF [136TA3070](#) Repair kit for (REF [136TA3069](#))



REF [143TA7678](#) 1st valve used in rep. kit
(REF [136TA3066](#)) and (REF [107TA1733](#))

NIKKI for K15 / K21 / K25



REF [143TA7679](#) 2nd valve



REF [143TA7680](#) Vaporizer used for K25 engine in LINDE



REF [136TA3206](#) Vaporizer used for TCM



REF [136TA3207](#) Repair kit for (REF [136TA3206](#))



REF [136TA3208](#) Solenoid for (REF [136TA3206](#))



REF [143TA7681](#) Throttle body



REF [143TA7682](#) Throttle body used for K21 and K25 engines



REF [143TA7696](#) Electric throttle body (HITACHI)

NIKKI for K15 / K21 / K25



REF [136TA3071](#)

Vaporizer - EFI (2003/07-2007/08)
with electric heater



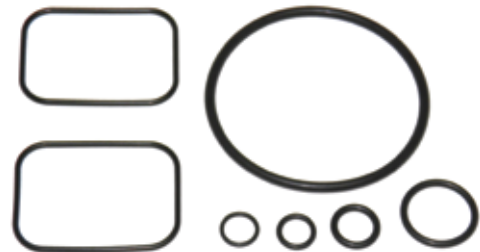
REF [136TA3072](#)

Repair kit for (REF [136TA3071](#))



REF [136TA3073](#)

Vaporizer assy - K21 / K25 EFI (2007/09 -)
with electric heater



REF [136TA3074](#)

Seal kit



REF [136TA3075](#)

Diaphragm assy



REF [136TA3076](#)

Valve complete



REF [136TA3077](#)

Diaphragm assy



REF [136TA3079](#)

Diaphragm

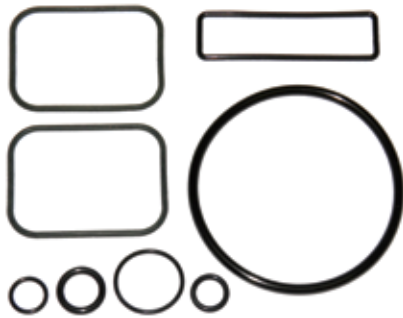
NIKKI for K15 / K21 / K25



REF [143TA7683](#) Heater housing



REF [143TA7684](#) Heating plate for (REF [143TA7683](#))



REF [143TA7685](#) Seal kit



REF [143TA7686](#) Diaphragm and valve kit



REF [143TA7688](#) Injector holder used for K21, EFI DUAL fuel on NISSAN A L01/L02 series 12/2004 -



REF [143TA7689](#) Injector holder used for K25, EFI DUAL fuel on NISSAN A L01/L02 series 12/2004 -



REF [143TA7644](#) Used for LINDE with K25 engine



REF [143TA7691](#) Valve assy – solenoid used for NISSAN engines

NIKKI for K15 / K21 / K25



REF [136TA3080](#) Carburettor for K21 LPG



REF [136TA3081](#) Carburettor for K25 LPG



REF [136TA3082](#) K15 (2003/07 -)
 REF [136TA3083](#) K21 (2003/07 - 2007/08) - picture
 REF [136TA3084](#) K21 (2007/09 -)
 Holder assy injector LPG, EFI



REF [136TA3085](#) K25 (2003/07 - 2007/08) - picture
 REF [136TA3086](#) K25 (2007/09 -)
 Holder assy injector LPG, EFI

REF [136TA3088](#) K15 (2003/07-)
 REF [136TA3089](#) K21 (2003/07- 2007/08)
 REF [136TA3090](#) K21 (2007/09 -)
 REF [136TA3091](#) K25 (2003/07- 2007/08)
 REF [136TA3092](#) K25 (2007/09 -)
 Injector assy - LPG



REF [136TA3087](#) Solenoid assy



REF [143TA7687](#) Filter for holder assy injector

NIKKI for K15 / K21 / K25



REF 143TA7719 LPG adapter H20/H25 engine dia. 27 mm



REF 143TA7693 LPG adapter K15 engine dia. 25 mm



REF 143TA7694 LPG adapter K21 engine dia. 27 mm



REF 143TA7695 LPG adapter K25 engine dia. 27 mm



REF 143TA7692 LPG adapter K15 engine dia. 25 mm

NIKKI



REF [107TA9080](#) Valve from (REF [107TA1733](#))



REF [107TA9087](#) Diaphragm



REF [107TA9358](#) Vaporizer used for 4G33, 4G41, ... MITSUBISHI engine



REF [107TA9360](#) Vaporizer used for NISSAN J02



REF [107TA1733](#) Repair kit for (REF [107TA9358](#)) and (REF [107TA9360](#))



REF [107TA9082](#) Vaporizer



REF [143TA7712](#) Vaporizer



REF [107TA9077](#) Repair kit for (REF [107TA9082](#)) and (REF [143TA7712](#))

NIKKI



REF [143TA7713](#) Vaporizer



REF [143TA7714](#) Repair kit for (REF [143TA7713](#))



REF [143TA7715](#) Vaporizer used for TB45 engine in NISSAN F05 series from jan. 2004



REF [143TA7716](#) Dash pot assy



REF [143TA7717](#) 1st valve used in (REF [107TA1733](#))



REF [143TA7718](#) 2nd valve used in (REF [107TA1733](#))



REF [143TA7720](#) Elbow 90°, used for NIKKI, 3/8" BSP, 3/8" hose connection

TELEFLEX - GFI



REF [136TA3181](#) Injector LPG



REF [136TA3184](#) LPG lock-off



REF [136TA3182](#) Nacco vaporizer



REF [143TA7673](#) Nacco repair kit for (REF [136TA3182](#))



REF [136TA3185](#) Throttle body



REF [143TA7675](#) Motor idler speed control



REF [143TA7677](#) Motor, governor control



REF [143TA7676](#) Gasket motor idles speed control

TELEFLEX - GFI



REF 143TA7600 LPG filter
dia. 61,5 mm, lenght 155 mm, 3/8" SAE



REF 143TA7672 Injector
used for GM 2,4 L , 2010 Series



REF 136TA3183 Universal repair kit for (REF 143TA7674)



REF 143TA7674 Universal SGI vaporizer

WOODWARD



REF 143TA7727 Model N-2007
Repair kit is (REF [143TA7730](#))



REF 143TA7728 Model N-2007
Repair kit is (REF [143TA7730](#))



REF 143TA7729 Model N-2007
Repair kit is (REF [143TA7730](#))



REF 143TA7730 Repair kit Model N-2007



REF 143TA7731 Model N-2001RSA
Repair kit is (REF [143TA7732](#))



REF 143TA7732 Repair kit REF [143TA7731](#)



REF 143TA7733 Used for CLARK and DOOSAN
with 4G64 engine

ZENITH-BENDIX



REF [107TA9294](#)

Repair kit for ZENITH-BENDIX vaporizer type K2944



REF [107TA9293](#)

Repair kit for ZENITH-BENDIX vaporizer type K2948



REF [107TA9289](#)

Repair kit vaporizer



REF [107TA9291](#)

Repair kit



REF [107TA9290](#)

Vaporizer with cooler



REF [107TA9282](#)

Carburettor vaporizer used for CLARK C500-355 C500-Y355



REF [107TA9284](#)

Carburettor vaporizer used for CLARK C500 - Y1015



REF [107TA9283](#)

Carburettor vaporizer used for CLARK

ZENITH-BENDIX



REF [106TA2931](#)

Carburettor vaporizer
used for CLARK C500 Y30-50



REF [107TA9287](#)

Carburettor vaporizer
used for CLARK



REF [107TA9286](#)

Carburettor vaporizer
used for CLARK C500-355



REF [107TA9285](#)

Carburettor vaporizer
used for CLARK

LPG LOCK-OFF VALVE + FILTER

Filter kit = REF [106TA2909](#)



REF [105TA4828](#) Lock-off valve with 12 V filter, M10 x 1



REF [106TA2909](#) LPG filter for (REF [105TA4828](#)), (REF [143TA7617](#)) and (REF [143TA7616](#))

Filter element = REF [106TA2927](#)



REF [107TA9295](#) CENTURY Lock-off valve with 12 V filter



Filter = REF [106TA6809](#)



REF [107TA9296](#) Lock-off valve with 12 V filter used for NISSAN H02 with H20 engine



Filter kit = REF [136TA3172](#)



REF [136TA3012](#) LPG shut-off valve 12 V, 1/4" NPT used for LINDE



Filter = REF [106TA6809](#)



REF [136TA3013](#) NIKKI lock-off valve 12 V with filter



Filter kit = REF [107TA9106](#)



REF [107TA9105](#) BEDINI Lock-off valve with filter, M10 x 1



Filter = REF [106TA6809](#)



REF [136TA3212](#) NIKKI lock-off valve 12 V with filter



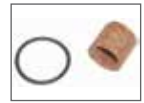
LPG LOCK-OFF VALVE + FILTER



REF [143TA7890](#)

NIKKI lock-off valve 12 V with filter, without connections

Filter element = REF [107TA9372](#)



REF [106TA2937](#)

Lock-off valve 12 V with 1/4" NPT M/F



REF [143TA7617](#)

Marini brand, M10 x 1



REF [143TA7618](#)

LPG shut-off valve M10 x 1
Repair kit ([143TA7619](#))



REF [143TA7619](#)

Repair kit for (REF [143TA7618](#))



REF [143TA7620](#)

1/4" NPT



REF [143TA7621](#)

Repair kit for (REF [143TA7620](#))



REF [143TA7616](#)

Lock-off with 12 V filter, 1/4" NPT

LPG FILTER



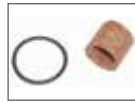
REF [107TA9300](#) LPG filter 1/4" NPT-M X 1/4" NPT-F

Filter element = REF [107TA9372](#)



REF [107TA9299](#) LPG filter, 90°

Filter element = REF [107TA9372](#)



REF [107TA9298](#) LPG filter 1/4" NPTF X 1/4" NPTF



REF [107TA9372](#) Element for (REF [107TA9298](#)) + (REF [107TA9301](#))

Filter element = REF [106TA2927](#)



REF [106TA2928](#) CENTURY Filter

Filter = REF [106TA6809](#)



REF [136TA3171](#) LPG filter

Outer dia. = 22 mm
Inner dia. = 10 mm
Total height = 52 mm



REF [106TA6809](#) LPG filter

Filter element = REF [107TA9372](#)



REF [144TA6941](#) LPG filter 1/4" NPT x 1/4" NPT

LPG FILTER



REF [143TA7600](#)

LPG filter
dia. 61,5 mm, length 155 mm, 3/8" SAE



REF [143TA7601](#)

1/4" NPT, 90°



REF [144TA3700](#)

Repair kit for (REF [143TA7601](#))



REF [143TA7604](#)

Repair kit
for valtek type 3 (REF [143TA7603](#))

Picture not
yet available

REF [143TA7603](#)

Valtek type 3, M10 x 1



REF [107TA9301](#)

LPG filter 1/4" NPT x 1/4" NPT

LPG FILTER

Filter kit = REF [136TA3205](#)



REF [136TA3204](#) LPG filter used for MAZDA engines

Filter element = REF 104TA7942



REF [136TA3219](#) LPG filter

Outer dia. = 24 mm
Inner dia. = 15 mm
Total height = 50 mm



REF [106TA6810](#) LPG filter

Filter element = REF 136TA3173



REF [136TA3007](#) LPG filter

Filter kit = REF [104TA7936](#)



REF [136TA3174](#) LPG filter

Filter element = REF 126TA6244



REF [136TA3175](#) LPG filter

Filter kit = REF [126TA9944](#)



REF [126TA9943](#) LPG filter



REF [126TA9944](#) Element for (REF [126TA9943](#))

LPG LOCK-OFF VALVE



REF [107TA9308](#)

Lock-off valve 12 V
used for MITSUBISHI FG15



REF [107TA9307](#)

Lock-off valve 12 V used for TOYOTA



REF [107TA9306](#)

Lock-off valve 12 V used for TOYOTA



REF [107TA9305](#)

Lock-off valve 12 V 90°, 1/4" NPT



REF [107TA9376](#)

Lock-off valve 12 V 1/4" NPT on-line



REF [107TA9377](#)

Lock-off 24 V 90°, 1/4" NPT



REF [107TA9378](#)

Lock-off valve 12 V, 1/4" NPT



REF [143TA7592](#)

LPG lock-off

LPG LOCK-OFF VALVE



REF [143TA7591](#) LPG lock-off 24 V, 90°, 1/4" NPT M/F



REF [143TA7589](#) LPG Lock-off valve 12 V 8 W, 2x M10 x 1



REF [143TA7590](#) LPG Lock-off valve 2x 1/8" NPT



REF [144TA3701](#) LPG Lock-off valve 2x 1/8" NPT



REF [144TA4069](#) LPG Lock-off valve 12 V 8 W, 1/4" NPT F/F"



REF [144TA5347](#) 2 x 1/8" BSPT used on TOYOTA

FUEL LOCK-OFF VALVE



REF [107TA9312](#) Fuel lock-off 12 V



REF [107TA9374](#) Lock-off valve 12 V 1/8" NPT



REF [107TA9375](#) 3-way



REF [143TA7579](#) Fuel lock-off 12 V



REF [143TA7580](#) NIKKI fuel lock-off 12 V



REF [143TA7581](#) MED fuel lock-off 12 V



REF [143TA7582](#) LOVATO fuel lock-off



REF [107TA9310](#) Fuel lock-off 12 V

This is only a selection of governors. For all other governors call our sales department !

GOVERNORS

AISAN



REF [107TA1824](#)

Used for TOYOTA 5FG 20-23-25 with 4P engine

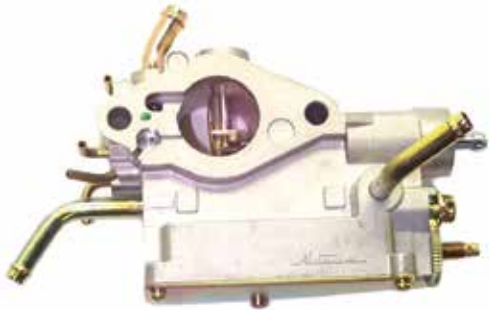
AISAN



REF [107TA1820](#)

Used for TOYOTA 4FGL10-14-15-18 with 4P engine

AISAN



REF [107TA1823](#)

Used for TOYOTA 5FG20-23-25 with 5K engine

AISAN



REF [107TA1819](#)

Used for TOYOTA 4FG20-23-25 with 5R engine from 78/04 - 83/06

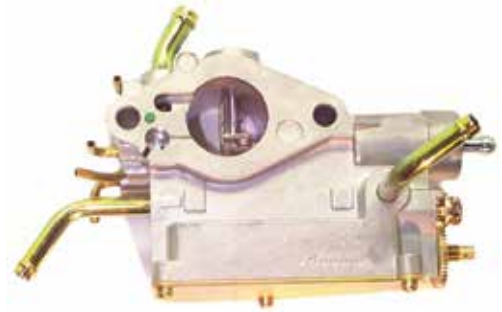
AISAN



REF [107TA1822](#)

Used for TOYOTA 02FG32-35-40 with 2F engine

AISAN



REF [107TA1818](#)

Used for TOYOTA 5FG20-23-25 with 4Y engine

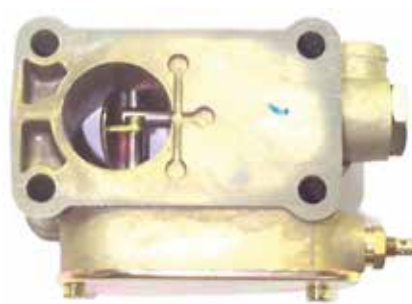
AISAN



REF [107TA1821](#)

Used for TOYOTA 2FG10-14-15 with 3P engine

AISAN



REF [107TA1817](#)

Used for TOYOTA 2FG15 with 5R engine

This is only a selection of governors. For all other governors call our sales department !

GOVERNORS

GOVERNORS

AISAN



REF [107TA1832](#)

Used for NISSAN H02 with H20 engine

AISAN



REF [107TA1825](#)

Used for NISSAN NFG 101 FG 102 FG 103 with D11 engine

AISAN



REF [107TA1831](#)

Used for NISSAN F01 series with J15 or D11 engine (NISSAN)

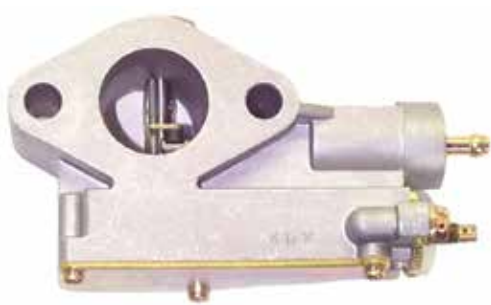
AISAN



REF [107TA1828](#)

Used for TOYOTA FG20 with 2R engine

AISAN



REF [107TA1830](#)

Used for CATERPILLAR V80E with perkins 4.236 engine

AISAN



REF [107TA1827](#)

Used for MITSUBISHI with 4G52-54 engine

AISAN



REF [107TA1829](#)

Used for TOYOTA 2 FG 20,25 with 4P engine

AISAN



REF [107TA1826](#)

Used for TOYOTA 42-4 FG 15 & 42-2 FG 25 with 5R engine

This is only a selection of governors. For all other governors call our sales department !

GOVERNORS

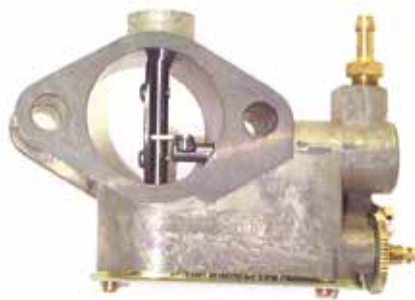
AISAN



REF [107TA1840](#)

Used for HYSTER with GM engine: (6 cyl.)

AISAN



REF [107TA1836](#)

Used for TOYOTA 5 FG 35, 40,45 with 3F engine

AISAN



REF [107TA1839](#)

Used for TOYOTA 4 FG 15 with 4P engine

AISAN



REF [107TA1835](#)

Used for YALE GLP 20/30RF with MAZDA FE engine

HOOF



REF [107TA1838](#)

Used for HYSTER H2.00 - 2,50 J & H3.00 JS G.M. 4 cyl. 4.181

HOOF



REF [107TA1833](#)

Used for YALE and CLARK with CHRYSLER 225-6 engine

HOOF



REF [107TA1837](#)

Used for CLARK with FORD 300-6 engine

HOOF



REF [107TA1834](#)

Used for CLARK H500 Model S10M105 with RENAULT R810 - R847 engine

This is only a selection of governors. For all other governors call our sales department !

GOVERNORS

GOVERNORS

HOOF



REF [107TA1848](#)

Used for HYSTER with GM (V6) (4,3 L) engine

HOOF



REF [107TA1845](#)

Used for CLARK Model S365

HOOF



REF [107TA1847](#)

Used for TENNANT with FORD-engine 98-4

HOOF



REF [107TA1846](#)

Used for CLARK (Rpm 2250)

HOOF



REF [107TA1852](#)

Used for YALE / FENWICK Model S100

HOOF



REF [107TA1849](#)

Used for STILL / SAXBY FORD 1.6 L-4 LPG engine

HOOF



REF [107TA1851](#)

Model S20M198

KOSHIDA SHOKO



REF [107TA1850](#)

Used for NISSAN F02 with H2O engine

This is only a selection of governors. For all other governors call our sales department !

GOVERNORS

KOSHIDA SHOKO



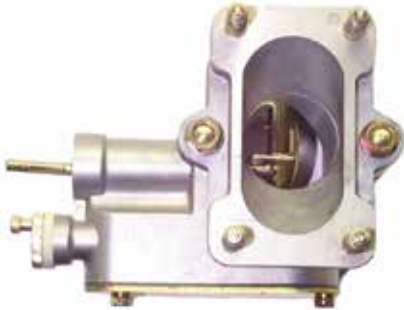
REF [107TA1860](#) Used for NISSAN with A15 engine

KOSHIDA SHOKO



REF [107TA1856](#) Used for NISSAN with Z24 engine

KOSHIDA SHOKO



Model S276
REF [107TA1859](#) Used for TCM with H20 engine NISSAN

KOSHIDA SHOKO



REF [107TA1855](#) Used for YALE with MAZDA engine

KOSHIDA SHOKO



REF [107TA1858](#) Used for NISSAN J01 & J02 dia. 30 with H 15 and K 15 engine

KOSHIDA SHOKO



REF [107TA1854](#) Used for NISSAN, FHG20, 25, 30N TCM with Z24 engine

KOSHIDA SHOKO



REF [107TA1857](#) Used for CLARK GPM 20-30H

KOSHIDA SHOKO



REF [107TA1853](#) Used for NISSAN J01 (U) with A15 engine Governor assy dia. 33 with all the tubes

This is only a selection of governors. For all other governors call our sales department !

GOVERNORS

GOVERNORS



Governor assy dia. 33
with two small tubes and without thick
tube / H20, H25, K21, K25

REF [143TA7734](#)



Governor assy dia. 33 without tubes
H20, H25, K21, K25

REF [143TA7735](#)

*For all other governors,
please contact us with
your machine details*

LPG CONTROL

Relay = REF [134TA9844](#)



REF [107TA9314](#) Start delay, fuel lock control



REF [106TA2907](#) Control kit bottle



REF [107TA1709](#) Control bottle 3 to 6 bar, 1/4" NPT



REF [107TA1710](#) Control bottle 2 to 4 bar, 1/8" NPT



REF [107TA9313](#) Lock-off valve 12 V, 1/2" NPT



REF [105TA4832](#) Indicator for level gauge



REF [126TA6149](#) Pressure switch 1/8" NPT



REF [126TA6150](#) Indicator for SRG / rochester gauge

LPG CONTROL



REF [143TA7583](#) Pressure switch 40 PSI, 1/8" NPT



REF [107TA9396](#) Switch, gas/fuel with choke



REF [106TA2877](#) Switch, gas/fuel



REF [143TA7584](#) Switch, used for CATERPILLAR



REF [143TA7585](#) Switch, used for TOYOTA



REF [139TA4893](#) Vegotech buffertank



REF [143TA7883](#) MLD 2nd generation



REF [143TA7587](#) Minimum level detector without cable

LPG CONTROL

Save on fuel cost, increase productivity

Wasted fuel and a the risk of vehicle stand-still due to fuel starvation has become an increased issue with the introduction of LPG exchange tanks to industrial vehicles. The newly developed Reserve Fuel System is the professional solution to save on fuel cost and increase productivity.

In many countries the use of LPG exchange tanks on forklift trucks has become the standard. LPG distributors collect the empty tanks and replace them with filled units. Typically these LPG tanks have only one valve and no fuel level indicator meaning that drivers will exchange the almost empty LPG tank based on run hours and their best guess of how much gas is still in the tank.

Major downsides of exchange LPG tanks:

- LPG tanks are returned to the gas distributor with unused fuel left in the tank adding significantly to operating costs.
- Forklift trucks may come to a standstill when running out of gas. Hydrostatic forklift trucks cannot be towed, access may be obstructed and the production process may become severely disrupted.

This newly developed product is a reliable, industrialized solution that allows operators to run the LPG tank completely empty and still make it to the nearest tank exchange location. When the LPG tank is completely empty a signal will show, leaving an accurate remaining drive time thus avoiding the risk of standstill. The system is insensitive to bumpy rides or hard cornering.

REF [143TA7884](#) IMPCO reserve fuel system



Key Features:

- Robust design in accordance with Machinery Directive (2006/42/EG App IIB)
- Complete Scope of Supply with all necessary parts included

Key Benefits:

- Guaranteed empty fuel cylinders upon exchange
- Improved productivity due to reduced down time
- Easy installation

SPARE TANK

No more stranded forklifts!
The Return Reserve kit allows 5-10 minutes to complete tasks and return to cylinder exchange rack. Eliminating downtime from running out of fuel.

(Filter element = REF 126TA6244)

REF [111TA3746](#)



REF [144TA3702](#) Dashboard LPG level indicator SRG NEW



REF [143TA7588](#) Dashboard LPG level indicator IMPCO/SRG

ELECTRIC MAGNETIC CHOKE



REF [107TA9273](#) Choke LANDI HARTOG



REF [107TA9316](#) Choke BEDINI



REF [107TA9315](#) Choke IMPCO

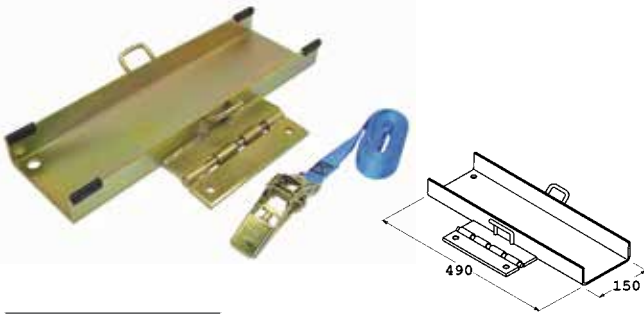


REF [107TA9125](#) Choke CENTURY



REF [136TA3011](#) Choke

BRACKETS



REF [105TA4819](#) Length (L) = 490 mm
 REF [107TA1728](#) Length (L) = 380 mm
 Universal bracket, tilt forward



REF [107TA9652](#) Double bottle carrier



REF [107TA1727](#) Dia. 360 mm



REF [106TA2902](#) Dia. 300 - 320 mm



REF [106TA2900](#) Bracket used with REF [106TA2902](#)



REF [106TA2899](#) Toggle used with REF [106TA2902](#)



REF [106TA2903](#) Tilt bracket for LPG fuel tank
 (REF [106TA2896](#))



REF [106TA2901](#) Quick change bracket for LPG fuel tank
 (REF [106TA2896](#))

BRACKETS



REF [143TA7605](#) Dia. 450 mm



REF [143TA7606](#) Double tilt bracket



REF [143TA7607](#) Dia. 360 mm



REF [143TA7608](#) Swing-down bracket, used for TOYOTA 7 series



REF [143TA7609](#) Swing-down bracket, used for DAEWOO / DOOSAN



REF [139TA5947](#) Swing-down bracket, dia. 300-320 mm



REF [143TA7610](#) Universal swing-down bracket with gas springs, length 660 mm



REF [143TA7611](#) Universal swing-down bracket with gas springs, length 770 mm

BRACKETS



REF [122TA7592](#) Double bottle bracket



REF [105TA4855](#) Nylon strap fastener, for all applications
length: 5 m, width: 25 mm
resistance: 400 kg



REF [143TA7613](#) Straps used for NISSAN, MITSUBISHI
and CATERPILLAR



REF [105TA4856](#) Nylon strap fastener
capacity: 1000 kg, length: 95 cm



REF [106TA2910](#) Quick change bracket



REF [111TA3747](#) Tilt forward bracket dia. 320 mm



REF [111TA3748](#) Stand-up bracket dia. 320 mm



REF [144TA3703](#) Bracket for 40 L tanks

BRACKETS



REF [143TA7615](#) Used for NISSAN



REF [143TA7614](#) Used for TOYOTA

LPG FUEL TANKS

36 L HOLLAND + BELGIUM

- Capacity 36 litres
- Dia. 300 mm x 720 mm length
- Pi-certificated



REF 106TA2887	HANSEN fitting & acme filler (80%) (picture)
REF 106TA2888	ROSS fitting & acme filler (80%)
REF 107TA1719	HANSEN fitting & bajonet filler (80%)
REF 107TA1720	ROSS fitting & bajonet filler (80%)

FRANCE + BELGIUM

- Dia. 360 mm
- CE-certificated

REF 106TA2891	55 l	France
REF 107TA1721	55 l	Belgium (Equiped with ACME filler)
REF 107TA1722	70 l	France
REF 112TA1148	70 l	Belgium (Equiped with ACME filler)
REF 107TA1723	85 l	France
REF 112TA1149	85 l	Belgium (Equiped with ACME filler)
REF 107TA1724	100 l	France
REF 112TA1150	100 l	Belgium (Equiped with ACME filler)



FRANCE + BELGIUM WITH ELECTRIC SHUT-OFF VALVE

- Dia. 360 mm
- CE-certificated

REF 144TA3708	55 l	France
REF 144TA3709	55 l	Belgium (Equiped with ACME filler)
REF 144TA3710	70 l	France
REF 144TA3711	70 l	Belgium (Equiped with ACME filler)
REF 144TA3712	85 l	France
REF 144TA3713	85 l	Belgium (Equiped with ACME filler)
REF 144TA3714	100 l	France
REF 144TA3715	100 l	Belgium (Equiped with ACME filler)



TUV certified tanks for GERMANY

For Germany only

REF 107TA1716	36 l
REF 107TA1717	40 l
REF 105TA4825	55 l (picture)
REF 107TA1718	85 l



LPG FUEL TANKS

MANCHESTER - ALUMINIUM LPG TANK

REF [119TA9830](#)

- LPG capacity: 30,4 l
- Water capacity: 36 kg
- Collar diameter: 267 mm
- Height: 705 mm
- Fuel weight/full: 15,07 kg

Spare parts	REF
Male connector	106TA2876
Liquid service	123TA2019
Sight gauge	123TA2020
Filler valve	107TA9350



MANCHESTER - STEEL LPG TANK

REF [119TA9832](#)

- LPG capacity: 30,40 l
- Water capacity: 36 kg
- Tare: 16,20 kg
- Collar diameter: 260 mm
- Height: 692 mm
- Fuel weight/full: 15,07 kg

REF [122TA7767](#)

- LPG capacity: 38 l
- Water capacity: 46,80 kg
- Tare: 19,35 kg
- Collar diameter: 260 mm
- Height: 846 mm
- Fuel weight/full: 19,57 kg

REF [119TA9834](#)

- LPG capacity: 30,40 l
- Water capacity: 36 kg
- Tare: 16,20 kg
- Collar diameter: 260,40 mm
- Height: 692,20 mm
- Fuel weight/full: 15,07 kg
- No filler valve on this model



Spare parts	REF
Male connector	106TA2876
Liquid service	123TA2019
Sight gauge	123TA2020
Filler valve	107TA9350

This is an electronic system that offers safety when filling an LPG-tank

Advantages:

- Shuts off the engine when connecting the filling pistol
- Impossible to start the engine when filling pistol is connected
- Easy to mount

How it works:

When the receiver detects the filling pistol, it will send a signal to the electronical box and will cut-off the engine through the ignition circuit and through the contact circuit.

REF [123TA7324](#)



TANK ACCESSORIES

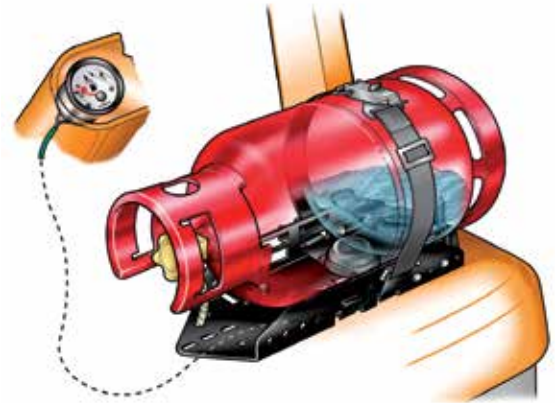
Sonatic® Kit

Reliable LPG level measuring

Save up to hundreds of euros per year!

Sonatic® Kit ensures a reliable fuel level measuring for your LPG powered forklift, thanks to a unique ultrasonic technique. Its advantages are numerous:

- Extremely reliable measuring
- Accurate even when the lift truck is in motion
- Gauge is clearly visible for the driver
- Fits nearly every lift truck
- Warning LED for minimum level
- Remaining running time after displaying "empty" (LED illuminates): between 5 and 20 minutes (depending on forklift truck and driving)
- Bottles easily replaceable by means of straps
- Easy installation
- 1 year warranty on the product and its components
- Advantages for operators and logistic companies include:
 - eliminate operational disruptions
 - optimization of cylinder replacement and fuel consumption
 - prevent carrying of heavy fuel cylinders to increase employee comfort and safety
- Last but not least: thanks to an optimal use of your gas bottles, you will have recovered the cost of the Sonatic® kit in less than a year!



<p>A loss in working hours costs you: More than € 600 per year per lift truck</p>	<p>A loss of LPG costs you: More than € 500 per year per lift truck</p>
<p>Presumption:</p> <ul style="list-style-type: none"> • 2 unplanned work interruptions per week • extra loss of time by unexpected gas bottle replacement approx 10 min • labour cost lift truck driver € 35 per hour* <p>* Average labour cost in EU</p>	<p>Presumption:</p> <ul style="list-style-type: none"> • 5% remaining volume • € 2 per kg • Consumption 20 kg per day • 250 working days per year



TANK ACCESSORIES

Suitable for commercial LPG cylinders:

- Material: steel and aluminium
- Diameter: from 295 mm to 320 mm
- Maximum weight: up to 40 kg
- Content: propane, butane and their mixtures

Fast and easy to install:

The Sonatic® Kit S and ST can be installed in approximately less than 90 minutes; the Sonatic® Kit B can be installed in less than 1 hour! The Sonatic® Kits can be installed during the routine maintenance by the service technician. All necessary parts are in the scope of delivery.



REF	Kit	Application	Dimensions	Weight
125TA4540 125TA4541	Sonatic® Kit S	Standard	Kit S D300 (ø 295 - 310 mm) Kit S D310 (ø 307 - 320 mm)	ca. 10 kg
125TA4542 125TA4543	Sonatic® Kit ST	For trucks with swiveling cabins/seats	Kit ST D300 (ø 295 - 310 mm) Kit ST D310 (ø 307 - 320 mm)	ca. 15 kg
125TA4544 125TA4545	Sonatic® Kit B	In combination with existing bracket*	Kit B D300 (ø 300 - 310 mm) Kit B D310 (ø 307 - 320 mm)	ca. 1 kg

* Bracket not included

Universally suitable for original equipment and retrofitting***

... as well for forklift trucks with swiveling cabins/seats

Only in combination with existing bracket as shown in picture



Sonatic® Kit S



Versions:

- **Sonatic® Kit S D300 (REF 125TA4540)**
Diameter of the bottle: 295 mm - 310 mm
Dimensions (L x W x H):
630 mm x 307 mm x 390 mm
- **Sonatic® Kit S D310 (REF 125TA4541)**
Diameter of the bottle: 307 mm - 320 mm
Dimensions (L x W x H):
630 mm x 327 mm x 410 mm

Scope of delivery

- Complete kit including
- Sonatic® FLT-sensor
 - Universal bracket
 - Fuel gauge
 - Wiring
 - Additional small parts for installation

Sonatic® Kit ST



Versions:

- **Sonatic® Kit ST D300 (REF 125TA4542)**
Diameter of the bottle: 295 mm - 310 mm
Dimensions (L x W x H):
630 mm x 307 mm x 417 mm
- **Sonatic® Kit ST D310 (REF 125TA4543)**
Diameter of the bottle: 307 mm - 320 mm
Dimensions (L x W x H):
630 mm x 327 mm x 437 mm

Scope of delivery

- Complete kit including
- Sonatic® Kit S
 - Base plate with tilt device

Sonatic® Kit B*



Versions:

- **Sonatic® Kit B D300 (REF 125TA4544)**
Diameter of the bottle: 300 mm - 310 mm
Dimensions (L x W x H):
280 mm x 143 mm x 10 mm
- **Sonatic® Kit B D310 (REF 125TA4545)**
Diameter of the bottle: 307 mm - 320 mm
Dimensions (L x W x H):
280 mm x 143 mm x 10 mm

Scope of delivery


- Complete kit including
- Sonatic® FLT-Sensor
 - Positioning plate
 - Fuel gauge
 - Wiring
 - Additional small parts for installation

Accessories (optional):

- Second strap
Safety regulations may prescribe double strap fastening of tanks (e.g. in Australia). Please check requirements applicable to you.
- Instrument housing
In case the gauge cannot be installed in the dashboard, screw it to the instrument panel using the surface-mounted instrument housing.
- 24 V light bulb
In case your industrial truck has a 24 V onboard-supply, use the 24 V light bulb for gauge illumination.
- Compensating washer set
In case your industrial truck has a sloping counterweight, use the compensating washer set to install the bracket horizontally.

* bracket not included
*** exchange of existing bracket

Accessories (optional):

- Second strap
 Safety regulations may prescribe double strap fastening of tanks (e.g. in Australia). Please check requirements applicable to you.
- Instrument housing
In case the gauge cannot be installed in the dashboard, screw it to the instrument panel using the surface-mounted instrument housing.
- 24 V light bulb
In case your industrial truck has a 24 V onboard-supply, use the 24 V light bulb for gauge illumination.
- Compensating washer set
In case your industrial truck has a sloping counterweight, use the compensating washer set to install the bracket horizontally.

Accessories (optional):

- Instrument housing
In case the gauge cannot be installed in the dashboard, screw it to the instrument panel using the surface-mounted instrument housing.
- 24 V light bulb
In case your industrial truck has a 24 V onboard-supply, use the 24 V light bulb for gauge illumination.



viaSonic

TANK ACCESSORIES

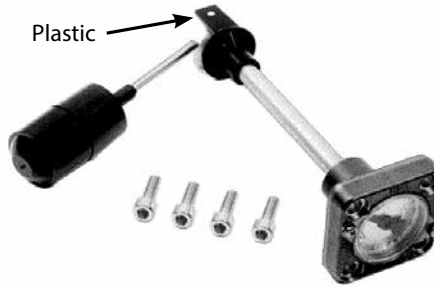


REF [127TA1036](#) Case LPG



REF [107TA9326](#) Case LPG for WVM tanks

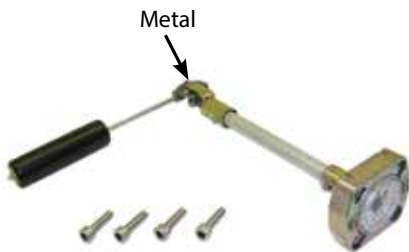
For tank dia.	Degrees	REF
270 mm	90°	107TA9317
300 mm	52°	107TA9318
300 mm	0°	107TA9319
300 mm	75°	107TA9320
300 mm	90°	107TA9321
320 mm	52°	107TA9322
360 mm	52°	105TA4831



LPG fuel meter



REF [128TA4034](#) Seal
REF [107TA9370](#) Indicator



REF [126TA6142](#) For tank dia. 360 mm - 52°
REF [136TA3008](#) For tank dia. 300 mm - 90°
LPG fuel meter (SRG)



REF [126TA6144](#) Sensor



REF [126TA6143](#) Indicator



REF [143TA7649](#) Level meter SRG new version
dia. 300 mm, 90°



REF [143TA7652](#) Indicator SRG new version

TANK ACCESSORIES



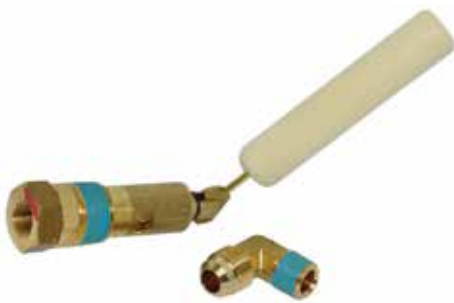
REF [143TA7650](#)

Level meter SRG new version
dia. 300 mm, 0°



REF [143TA7651](#)

Level meter SRG new version
dia. 360 mm, 52°



REF [106TA2938](#)

Filler 80% 3/8"
For tanks dia. 265-375 mm // 45°-52°



REF [143TA7654](#)

ACME Filler 80 %
For tanks dia. 265-375 mm // 45°-52°



REF [144TA3704](#)

Filler 80% 3/8"
For tanks dia. 265-375 mm // 45°-52°



REF [143TA7657](#)

Mutter 1/4" x 1/2" NPTL



REF [143TA7656](#)

Gas bottle connection kit
with olive seal



REF [143TA7659](#)

Connector with valve
3/8" SAE Polish version

TANK ACCESSORIES



REF [107TA1737](#) ACME filler 3/8" for 80% filler



REF [111TA6205](#) Filler-EUROPE can be used with bajonet filler 7/8" UNF, fits in bajonet filler



REF [143TA7653](#) Filler France-Italy, 3/8" NPT



REF [107TA9324](#) Connector France-Italie 7/8" UNF, fits in ACME and bajonet filler



REF [107TA9389](#) Filler bajonet 80% For tanks 40 l dia. 300 mm // 0°



REF [107TA9355](#) Filler ACME 80% For tanks 40 l dia. 300 mm // 0°



REF [111TA6206](#) Filler bajonet 80% For tanks 36 l dia. 300 mm // 0°



REF [111TA6207](#) Filler ACME 80% For tanks 36 l dia. 300 mm // 0°

TANK ACCESSORIES



REF [107TA9350](#)

Double check filter valve,
3/4" NPT x 1" 3/4 ACME



REF [107TA9346](#)

Gasket filler cap for (REF [107TA9350](#))



REF [107TA9351](#)

3/4" NPT x 1/2" NPT L



REF [107TA9349](#)

Pol nut nipple
1/2" NPT L x 1/4" NPT



REF [106TA2878](#)

Coupling (color) 1/4" NPT



REF [126TA6147](#)

TOTAL fitting Easyclip



REF [106TA2876](#)

Coupler-M
(O-ring = REF 143TA7668)
(Square o-ring = REF 131TA4681)



REF [107TA9347](#)

Quick connect coupling

TANK ACCESSORIES



REF [107TA9333](#) 3/4" NPT, Ross-fitting



REF [107TA9332](#) 1/4" NPT used with (REF [107TA9333](#))

Seal = REF 107TA9387



REF [111TA9263](#) Connector with valve 3/8" SAE x M20

Seal = REF 107TA9387



REF [111TA9264](#) Connector with valve 5/16" SAE x M20



REF [107TA9329](#) 1/4" NPT



REF [107TA9330](#) 1/2" NPT L



REF [107TA9335](#) 1/2" NPT L



REF [107TA9334](#)
with wings



REF [107TA9340](#) 1/4" NPT



REF [126TA6145](#)

REF [126TA6146](#)

TANK ACCESSORIES

Seal = REF 136TA3176



REF [106TA2943](#) 1/4" NPT Hansen female



REF [106TA2940](#) 1/4" NPT Hansen male



REF [105TA4830](#) 3/4" NPT x 1/2" JIC



REF [107TA9342](#) 1" NPT safety valve for tank 25 Bar



REF [144TA3705](#) 1/4" BSP



REF [143TA7660](#) 1/4" BSP Hansen male



REF [107TA9390](#) Bajonet filler



REF [107TA9388](#) Adapter bajonet to fit on ACME filler plug (seal = REF 107TA9393)

TANK ACCESSORIES



REF [111TA6209](#) Adapter to fit ACME filler France / Italy



REF [111TA6210](#) Electric valve for tanks 12 V



REF [107TA9356](#) Dust cap for ACME filler



REF [143TA7661](#) 3-way valve 5/16" SAE



REF [136TA3014](#) Dust cap for bajonet filler



REF [107TA9398](#) Safety relief valve 400 Psi



REF [143TA7662](#) Dust cap ACME filler



REF [143TA7663](#) Adapter totalfitting to 1/4" NPT

TANK ACCESSORIES



REF [143TA7664](#) Valve, used for TOYOTA



REF [143TA7665](#) Side filler



REF [143TA7666](#) 3-way valve, used for LINDE



REF [143TA7667](#) 3-way valve, used for LINDE



REF [107TA9391](#) 3-way valve

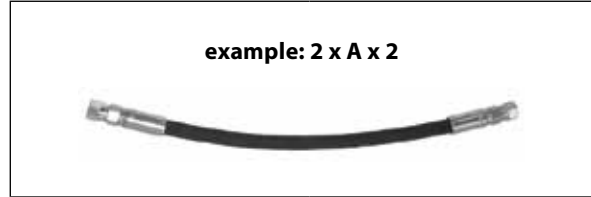


REF [143TA7711](#) 3-way valve electric

HOSES AND FITTINGS

GAS HOSE ASSEMBLIES - DIN 4815T4 - 5/16" (8 mm)

	A	500 mm
	B	750 mm
	C	1000 mm
	D	1250 mm
	E	1500 mm
	F	1750 mm
	G	2000 mm



Combination	REF
1 x B x 1 1 x D x 1 1 x E x 1 1 x F x 1	122TA7593 122TA7594 122TA7595 122TA7596
1 x B x 3 1 x C x 3 1 x E x 3	107TA1706 107TA1707 107TA1708
1 x A x 4 1 x B x 4 1 x C x 4	122TA7597 122TA7598 122TA7599
2 x B x 1 2 x C x 1 2 x D x 1 2 x E x 1 2 x F x 1	107TA1702 107TA1703 107TA1704 107TA1705 106TA2870
2 x A x 2 2 x B x 2 2 x C x 2 2 x D x 2 2 x E x 2 2 x F x 2	107TA1696 107TA1697 107TA1698 107TA1699 107TA1700 107TA1701
4 x A x 4 4 x B x 4 4 x C x 4 4 x E x 4	122TA7600 122TA7601 122TA7602 122TA7603
4 x B x 5	122TA7604



1/4" NPT MALE



3/8" SAE (5/8" UNF)



3/8" SAE - 90°
(5/8" UNF)



5/16" SAE (1/2" JIC)



5/16" SAE - 90°
(1/2" JIC)

If your combination is not listed, please select end fitting and length and fax us your combination...

GAS HOSE ASSEMBLIES - DIN 51622 - 3/8" (10 mm)

	T	500 mm
	U	750 mm
	V	1000 mm
	W	1250 mm
	X	1500 mm
	Y	1750 mm
	Z	2000 mm

Combination	REF
6 x V x 7 6 x X x 7	122TA7605 122TA7606



3/4" JIC - 90°



5/8" JIC

HOSES AND FITTINGS

PLASTIC PROTECTIVE COIL SLEEVE



Inner diameter	REF per m
7 mm	106TA6455
9 mm	106TA6456
13 mm	106TA6457
16 mm	106TA6458
20 mm	106TA6459
25 mm	106TA6460
30 mm	106TA6461
40 mm	106TA6462
50 mm	106TA6463

STEEL PROTECTIVE COIL SPRING



Inner diameter	REF per m
13 mm	106TA6464
15 mm	106TA6465
17 mm	106TA6466
19 mm	106TA6467
21 mm	106TA6468
23 mm	106TA6469
26 mm	106TA6470
29 mm	106TA6471
33 mm	106TA6472
41 mm	106TA6473
48 mm	106TA6474
54 mm	106TA6475



REF [111TA6211](#) Rubber hose dia. 9 mm



REF [111TA6212](#) Rubber hose dia. 5,5 mm



REF [111TA6213](#) Rubber hose dia. 11 mm



REF [107TA3397](#) Rubber hose dia. 3/8"

HOSES AND FITTINGS



REF [106TA2946](#) 1/2" NPT x 5/8" 90°



REF [106TA2942](#) 3/8" NPT x 5/8" 90°



REF [106TA2941](#) 1/2" NPT x 5/8"



REF [107TA9254](#) 1/2" NPT x 1/2" 90°



REF [107TA9251](#) IMPCO fitting 1" NPT x 1" - 90° hose



REF [107TA9253](#) IMPCO fitting 1/8" NPT x 3/8" - 90°



REF [107TA9252](#) 1/8" NPT x 1/4" 90°

HOSES AND FITTINGS



REF [107TA9343](#) Adapter: 1/8" NPT x 1/2" Hose



REF [107TA9323](#) Fitting 1/4" SAE flange 1/4" tube



REF [144TA3707](#) Fitting elbow 1/8" NPT x 1/8" NPT - 90°



REF [107TA9338](#) 1/8" NPT



REF [106TA2945](#) 3/8" NPT x 5/8"



REF [107TA9337](#) 1/4" NPT female x M10



REF [106TA2939](#) M10 x 5/16" JIC



REF [107TA9336](#) 5/8" JIC x M10

HOSES AND FITTINGS



REF [107TA9345](#) 1/4" NPT x 5/8" JIC



REF [107TA9344](#) M10 x 7/16" JIC



REF [106TA2944](#) 1/4" NPT x M10



REF [111TA6214](#) Fitting 45°, 5/8" JIC x 1/4" NPT



REF [111TA6215](#) Fitting 90°, 5/8" JIC x 3/8" NPT



REF [111TA6216](#) Fitting 90°
1/4" NPT female x 1/4" NPT male



REF [111TA6217](#) Fitting 90°, 1/2" JIC x 1/4" NPT



REF [143TA7648](#) T 1/4"NPT

HOSES AND FITTINGS



REF [111TA6218](#) Fitting 1/4" NPT x 1/4" NPT



REF [111TA6219](#) Fitting 1/4" NPT x 1/4" NPT



REF [136TA3009](#) Converter temperature control 3/8"



REF [107TA9353](#) Dia. 16 mm - dia. 11 mm



REF [107TA9371](#) Dia. 16 mm - dia. 16 mm



REF [107TA9354](#) Sput-in M8



REF [107TA9352](#) Sput-in M10



REF [127TA1037](#) Thermostat, connection dia. 16 mm

MISCELLANEOUS



REF [123TA4938](#) Decal, width: 30 mm, height: 10 mm



REF [138TA1301](#) Decal, width: 80 mm, height: 35 mm



REF [123TA4940](#) Decal, diameter: 57 mm



REF [138TA3208](#) Decal, width: 20 mm, height: 50 mm



REF [138TA3375](#) Decal, diameter: 100 mm



REF [126TA9500](#) Decal, diameter: 50 mm



REF [126TA9498](#) Decal, diameter: 200 mm



REF [138TA3163](#) Decal, width: 28 mm, height: 76,5 mm

MISCELLANEOUS



REF [138TA2383](#) Decal, width: 133 mm, height: 47 mm



REF [138TA8297](#) Decal, width: 148 mm, height: 148 mm



REF [138TA8295](#) Decal, width: 148 mm, height: 148 mm



REF [123TA5473](#) Decal, diameter: 50 mm

LOCTITE



REF [143TA3473](#) Sealing cords (50 m)

LOCTITE



REF [143TA3478](#) Thread sealant (100 ml) Loctite 5331

- For metal, general purpose
- Max thread size: M80/R3"
- Service temperature range: -55 to 150 °C
- Disassembly strength: medium
- Breakaway torque: 11 Nm
- Viscosity: 16 000 – 33 000 mPa.s
- General purpose sealant for alle coarse metal threads
- Suitable for fast applications at low temperatures, e.g. outdoor plant maintenance

LOCTITE



REF [143TA3471](#) Pipe sealant with teflon (50 ml) Loctite 577

MISCELLANEOUS



REF [142TA3731](#)

11 piece double open ended wrench set-metric



REF [127TA7568](#)

Hi-torque hex nut spin 943 B x 7 mm

JUBILEE CLIPS

Diameter				REF
Min	Max	Min	Max	
6 mm	16 mm	0,22"	0,62"	106TA2821
10 mm	19 mm	0,44"	0,78"	106TA2822
18 mm	31 mm	0,69"	1,25"	106TA2823
21 mm	44 mm	0,81"	1,75"	106TA2824
40 mm	63 mm	1,56"	2,50"	106TA2825
52 mm	76 mm	2,06"	3,00"	106TA2826
71 mm	95 mm	2,81"	3,75"	106TA2827
90 mm	114 mm	3,56"	4,50"	116TA5593
109 mm	133 mm	4,31"	5,25"	106TA2829
130 mm	152 mm	5,12"	6,00"	106TA2830
150 mm	171 mm	5,88"	6,75"	106TA2831



REF [143TA7784](#)

Cable shoe set

MISCELLANEOUS

EAR CLIPS

REF 142TA1401	Dia: 5-7 mm
REF 142TA1402	Dia: 7-9 mm
REF 142TA1403	Dia: 8,1-11 mm
REF 142TA1404	Dia: 10,8-13 mm
REF 142TA1405	Dia: 12,5-15 mm
REF 142TA1406	Dia: 16,2-20 mm
REF 142TA1407	Dia: 19-23 mm
REF 142TA1408	Dia: 26,3-31 mm
REF 142TA1409	Dia: 29,3-34 mm



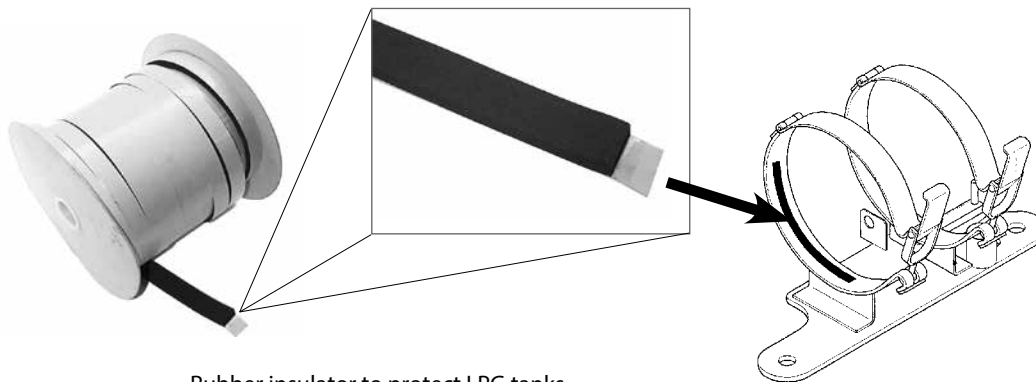
REF [142TA1400](#) Special pliers for ear clips



REF [107TA1712](#) Leak detector (400 ml)
Aerosol spray for quick gas leak detection



REF [107TA1713](#) Teflon tape



REF [107TA1714](#) Rubber insulator to protect LPG tanks
(per metre) section (20 x 10 mm)



REF [107TA9325](#) Plate feedpump



REF [142TA3339](#) Pipe cutter

MISCELLANEOUS

**BOTTLE GRABBER**

No more back pain from lifting LPG bottles.
For all kinds off LPG bottles.

REF [107TA1738](#)

COMBUSTIBLE GAS LEAK DETECTOR

Perfectly suitable to locate gas leaks in the installation area. By means of the flexible sensor neck, the sensor can be introduced in areas difficult to access. More advantages, of the easy handling, are the compact case, the integrated power supply and the well legible display.

The freely programmable alarm tresholds will be indicated via sonic signal and flashing display.

Measuring data can be saved in the internal memory or printed via the integrated IR interface.

FEATURES

- Indication in ppm, % or LEL
- 20 measurements can be stored, max value and average value
- Range: 5 - 20 000 ppm
- Alarm: accoustic signal and flashing display
- Treshold freely programmable
- Power supply, 2x batteries, LR6 AA
- +/- 8 hours continuous operation
- Dimensions: 84 x 139 x 24 mm
- Weight: 230 g



REF [122TA7539](#)

MISCELLANEOUS

CARBON MONOXIDE ANALYZER

The CO-analyzer is a hand-held instrument designed to locate CO in ambient air as well as stack gases. The continuous sampling instrument quickly and accurately measures levels of CO between 0 and 2.000 ppm. This is also available in a high range version (0-85.000 ppm) for vehicle emission testing and forklift tuning.

FEATURES

- Quickly measures and displays low levels of CO 0-2.000 ppm
- Measures in increments of 1 ppm
- Multi-purpose strap for easy holding
- Probe and hose assembly for flue gas testing
- Highly visible digital display with backlight

TYPICAL APPLICATIONS

- CO safety checks on combustion stack gas and ambient air levels
- Analyzing indoor air quality and safety
- Furnance and boiler servicing or replacement
- BAM verifies CO exposure

REF [106TA6390](#)

MISCELLANEOUS

CO MEASUREMENT ON FORKLIFT TRUCKS

The exhaust gas analyzer IM 1100F is designed to measure exhaust gases of LPG forklifts. The analyzer measures the Carbon Monoxide CO content in volume percent as requested by European and worldwide regulations.

The measured CO value can be saved or printed.

The analyzer comes complete with a flexible probe, IR-printer (only IM1100F-SET), additional printer paper (only IM1100F-SET) and a carrying case.

The flexible probe, which fits in most exhaust pipes, is inserted into the exhaust pipe and a clamp holds it in place.

Measuring exhaust gases is not only important to help control pollutants like CO, but it also helps optimizing fuel efficiency and therefore saving costs.



FEATURES

- 3-line, illuminated LCD
- Printout with date and time
- Flexible sampling probe
- Carrying case
- Manual
- Memory (50 measurements)
- IR-Interface
- Condensation trap with filter
- AA-Batteries, 3 pcs.
- Calibration protocol

TECHNICAL DATA

- Carbon Monoxide CO
- Range: 0 - 9,999 Vol.%
- Resolution: 0.001 Vol.%
- Flexible Gas Sampling probe
- Operating temperature: -10°C-50°C; 10-90% RH non condensing
- Battery: 3x AA Batteries
- Dimensions: 200 x 90 x 60 mm
- Weight: 500 g



OPTIONAL

IR Printer

- 4x AA Batteries
- 1x Paper
- Magnetic back



Gas Leak Detector CD100A

- Flexible gooseneck, 45cm
- "Tip Light" in sensor cover
- Adjustable tick rate
- Audio & visual alarm
- Headphone jack



Modified Soot Pump

- Modified for forklift trucks
- Comparison scale / filter paper
- Lubricant & wrench



Densitometer IM900

- Measures soot spots with one decimal (x.x) as requested by many regulations



REF 143TA7862

IM1100F Analyzer, flexible gas sampling probe, carrying case

REF 143TA7863

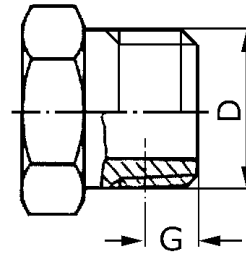
IM1100F-SET as above, but with IR printer

Warranty: 3 years / 2 years on sensors

THREAD SIZES

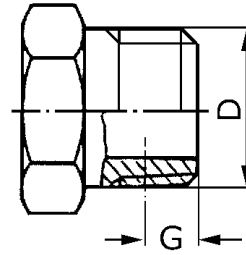
BSP-THREADS

Dia./Inch	Dia.	STEP
1/8"	9,72	28
1/4"	13,15	19
3/8"	16,66	19
1/2"	20,95	14
3/4"	26,44	14
1"	33,24	11
1" 1/4	41,91	11
1" 1/2	47,8	11
2"	59,61	11



NPT-THREADS

Dia./Inch	Dia.	STEP
1/8"	10,24	27
1/4"	13,61	18
3/8"	17,05	18
1/2"	21,22	14
3/4"	26,56	14
1"	33,22	11 1/2
1" 1/4	41,98	11 1/2
1" 1/2	48,05	11 1/2
2"	60,09	11 1/2



CONNECTION SYSTEMS JIC 37° / SAE 45°

JIC 37°	SAE 45°	THREAD	d1 mm	d2 mm
3/16"	3/16"	3/8-24	9,5	8,6
1/4"	1/4"	7/16-20	11,1	10,0
5/16"	5/16"	1/2-20	12,7	11,6
3/8"		9/16-18	14,3	13
	3/8"	5/8-18	15,9	14,7
1/2"	1/2"	3/4-16	19,1	17,6
5/8"	5/8"	7/8-14	22,2	20,5
3/4"		1.1/16-12	27,0	25,0
	3/4"	1.1/16-14	27,0	25,3
7/8"		1.3/16-12	30,1	28,3
1"		1.5/16-12	33,3	31,3
1" 1/4		1.5/8-12	41,3	39,2
1" 1/2		1.7/8-12	47,6	45,6
2"		2.1/2-12	63,5	61,5

